

Series 5111

Zetco WaterMarked DZR Brass Ball Valve REHAU Sleeve x Sleeve Lever Handle

DESCRIPTION

A quality DZR brass ball valve with integral REHAU sleeve connections WaterMarked to AS 5830.1 (Licence WM-02345) designed to save on installation time and reduce the risk of leakage when connecting to RAUTITAN Stabil PE-X/AL/PE and PE-Xa pipes. The high quality design materials used throughout ensure smooth and reliable operation of the valve in a range of applications.

FEATURES

Design	<p>Forged dezincification resistant brass body</p> <p>Integral REHAU sleeve connections eliminate need for additional fittings</p> <p>PTFE ball seals and thrust washer for superior leak prevention</p> <p>Blow-out proof stem to prevent leakage</p>
Production	<p>Manufactured in Italy under ISO 9001 Quality Management System</p> <p>All valves are pressure tested during production</p>
Technical	<p>PEX connection to AS/NZS 2537</p> <p>Axial sleeve connections to be used only with REHAU RAUTITAN compression sleeves and REHAU RAUTITAN water pipe (PE-X)</p> <p>Flow control: on/off only, not intended for throttling</p> <p>Temperature range: -20°C to 99°C</p> <p>Max. pressure: 2000 kPa (see graph on page 2)</p>
Options & Variants	<p>Size range: PEX sizes 20mm, 25mm & 32mm</p> <p>Series 5211 AGA approved with REHAU sleeve connections</p>



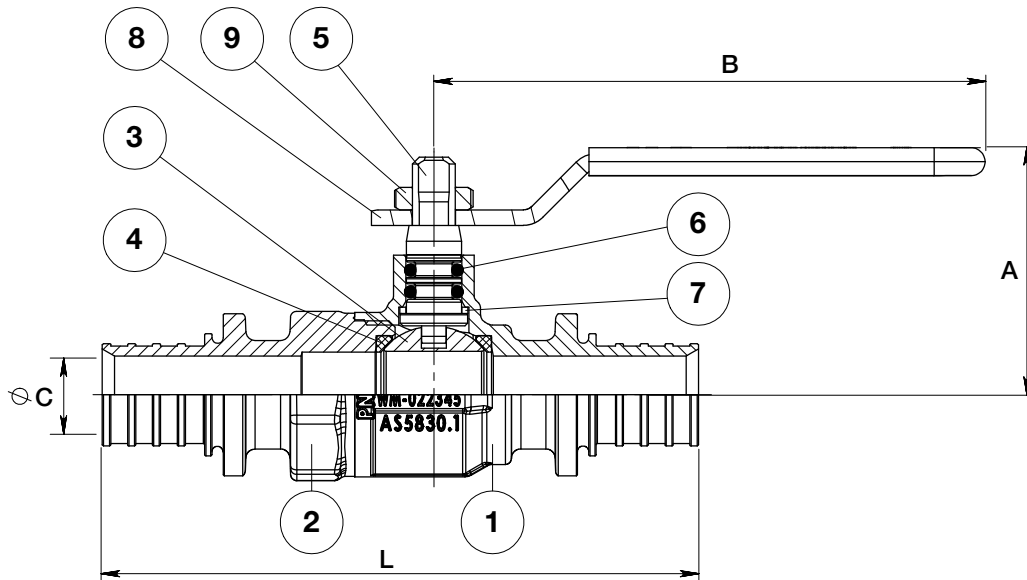
WaterMark
IAPMO WM-022345
AS 5830.1

Series 5111

Zetco WaterMarked DZR Brass Ball Valve
REHAU Sleeve x Sleeve Lever Handle



DESCRIPTION



PARTS MATERIALS		
POS.	PART	MATERIAL
1	BODY	DZR BRASS
2	END ADAPTOR	DZR BRASS
3	BALL	DZR BRASS (CHROME PLATED)
4	SEAL	PTFE
5	STEM	DZR BRASS
6	O-RING	HNBR
7	THRUST WASHER	PTFE
8	HANDLE	STEEL
9	NUT	STEEL

DIMENSIONS (mm)							
Prod. Code	PEX	A	B	C	L	Kv	Wgt Kg
5111020	20	40	75	12.5	98	9	0.220
5111025	25	42	90	15.2	124	15	0.340
5111032	32	52	105	20	137	35	0.460

