

Series 5211

**Zetco AGA Approved
Brass Ball Valve
REHAU Sleeve x Sleeve
Lever Handle**

DESCRIPTION

A quality brass ball valve with integral REHAU sleeve connections AGA approved to AS 4617 (Approval #3877 G) designed to reduce the risk of leakage and save on installation time when connecting to RAUTITAN Gas Stabil PE-X/AL/PE pipes. The high quality design materials used throughout ensure smooth and reliable operation of the valve in a range of applications.



FEATURES

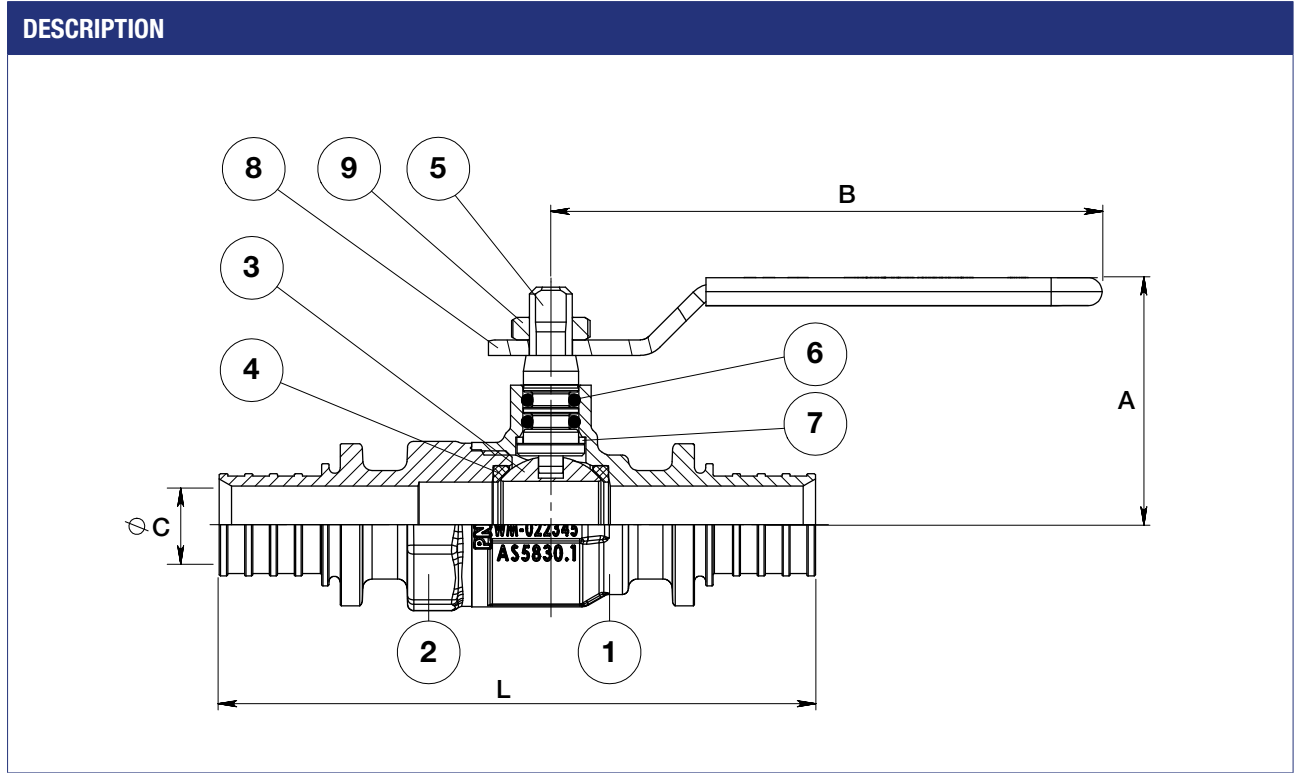
Design	<p>Precision forged brass body</p> <p>Integral REHAU sleeve connections eliminate need for additional fittings</p> <p>PTFE ball seals and thrust washer for superior leak prevention</p> <p>Blow-out proof stem to prevent leakage</p>
Production	<p>Manufactured in Italy under ISO 9001 Quality Management System</p> <p>All valves are pressure tested during production</p>
Technical	<p>PEX connection to AS 4176.8</p> <p>Axial sleeve connections to be used only with REHAU RAUTITAN compression sleeves & REHAU RAUTITAN multi-layer pipe (PE-X/AL/PE)</p> <p>Flow control: on/off only, not intended for throttling</p> <p>Temperature range: 0°C to 60°C</p> <p>Max. pressure: 1600 kPa (see graph on page 2) (AS 5601 specifies a max. pressure of 70 kPa on PE-X installations)</p>
Options & Variants	<p>Size range: PEX sizes 20mm, 25mm & 32mm</p> <p>Series 5111 WaterMarked with REHAU sleeve connections</p>



AGA 5301 G
AS 4617

Series 5211

Zetco AGA Approved Brass Ball Valve
REHAU Sleeve x Sleeve Lever Handle



PARTS MATERIALS		
POS.	PART	MATERIAL
1	BODY	BRASS
2	END ADAPTOR	BRASS
3	BALL	BRASS (CHROME PLATED)
4	SEAL	PTFE
5	STEM	BRASS
6	O-RING	HNBR
7	THRUST WASHER	PTFE
8	HANDLE	STEEL
9	NUT	STEEL

DIMENSIONS (mm)							
Prod. Code	PEX	A	B	C	L	Kv	Wgt Kg
5211020	20	40	75	12.5	98	9	0.220
5211025	25	42	90	15.2	124	15	0.340

